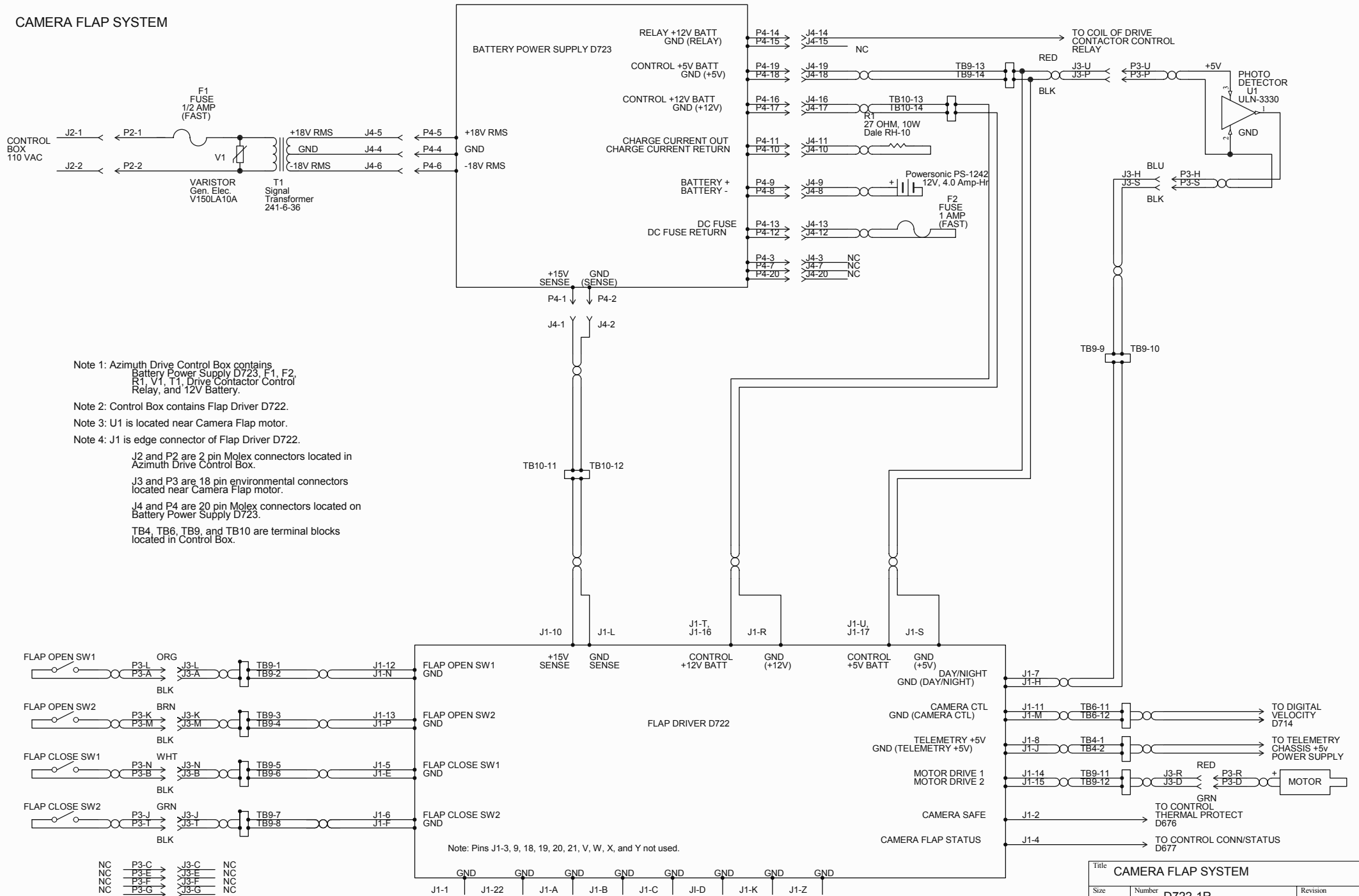


CAMERA FLAP SYSTEM



- Note 1: Azimuth Drive Control Box contains Battery Power Supply D723, F1, F2, R1, V1, T1, Drive Contactor Control Relay, and 12V Battery.
- Note 2: Control Box contains Flap Driver D722.
- Note 3: U1 is located near Camera Flap motor.
- Note 4: J1 is edge connector of Flap Driver D722.

J2 and P2 are 2 pin Molex connectors located in Azimuth Drive Control Box.
 J3 and P3 are 18 pin environmental connectors located near Camera Flap motor.
 J4 and P4 are 20 pin Molex connectors located on Battery Power Supply D723.
 TB4, TB6, TB9, and TB10 are terminal blocks located in Control Box.

Note: Pins J1-3, 9, 18, 19, 20, 21, V, W, X, and Y not used.

NC	P3-C	J3-C	NC
NC	P3-E	J3-E	NC
NC	P3-F	J3-F	NC
NC	P3-G	J3-G	NC

Title			CAMERA FLAP SYSTEM		
Size	Number	D722-1R			Revision
B					
Date:	10/12/2005	Sheet of			
File:	C:\Documents and Settings\... \D722-1R.SCH				Drawn By: