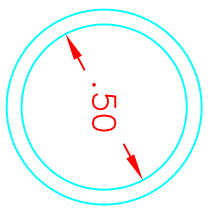
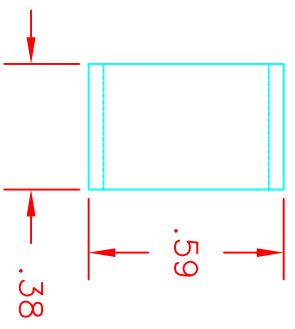
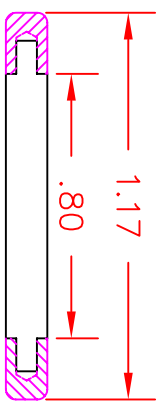
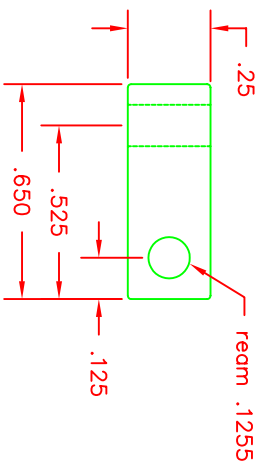
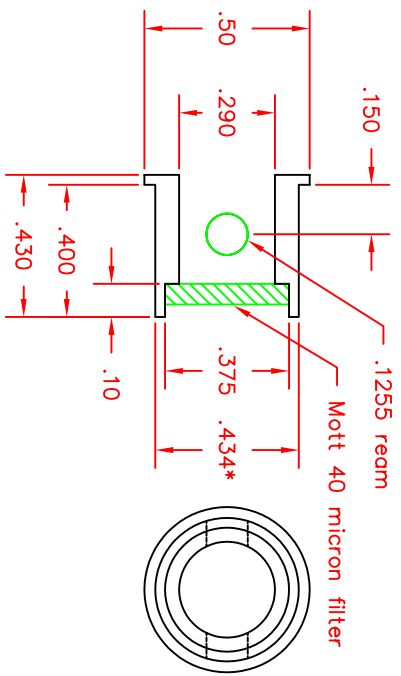


REV	DESCRIPTION	NAME	DATE
-----	-------------	------	------

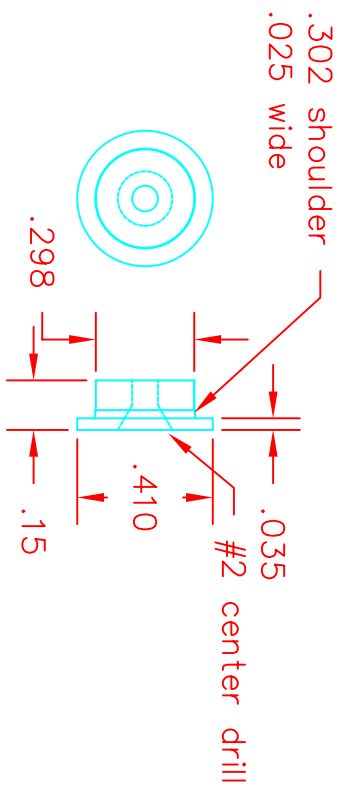
REVISIONS



3rd stage dowel retainer sleeve (plastic)



displacer cap – S.S. (any alloy)
 note: machine OD to fit displacer;
 ream .1255 hole while inserted
 into displacer



3rd stage spring pad

MATERIAL	UNLESS OTHERWISE SPECIFIED TOLERANCES ARE:	RADIO ASTRONOMY LABORATORY	
		UNIVERSITY OF CALIFORNIA – BERKELEY	
FINISH	X ± XX ± XXX ±	FRAC. # ANGLE # FINISH	BIMA refrigerator misc. parts
	NAME	DATE	
	DRWN	6/13/94	
	APPR		
WEIGHT	SCALE	SIZE	C
		CODE	28-024 1
		DWG NO	
		SHEET	DF
		REV	